

INTRODUCING

OSP Electronics Mini-Cabinet Mounting Posts **The Newest Innovation In Captive Cabinet Mounting Solutions**

Rugged and Heavy Duty - General Devices' manufactured Wireline OSP Mounting Posts feature a steel platform transition mounting plate assembly with multiple hole patterns for strength and stability along with a heavy wall aluminum post for increased life and durability.

A great choice for remote and/or rural applications, the "WOMP" allows flexibility in site locations as well as installations of various OSP electronic cabinets.



Features/Benefits

- Minimal site preparations
- Smaller right-of-way requirements
- Can be installed on unleveled ground
- Eliminates the need for concrete mounting pads
- Easy site maintenance and mowing access
- 1/4" thick aluminum post to resist corrosion
- 13 gauge steel mounting transition/platform for strength and durability
- Multiple standard mounting hole patterns to fit a variety of cabinets
- Transition platform can be customized to fit almost any cabinet
- Cabinet weight load centered over post — unlike pole mount installations
- Electronics are up off the ground for safe, easier, more comfortable access
- Secure and protected wiring conduit inside post and away from mowers, rodents, and animals
- Earth-tone blending almond color powder coat paint — high impact and corrosion resistant
- Made in the USA

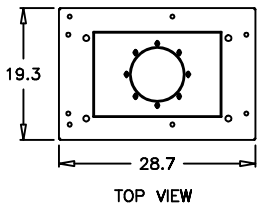
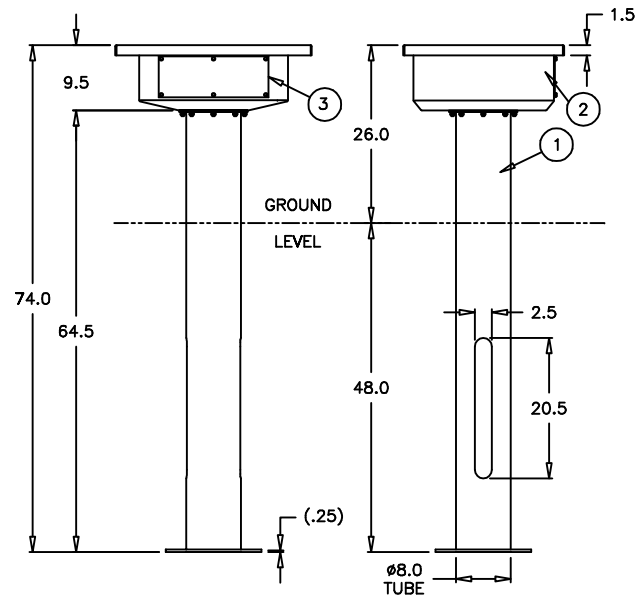
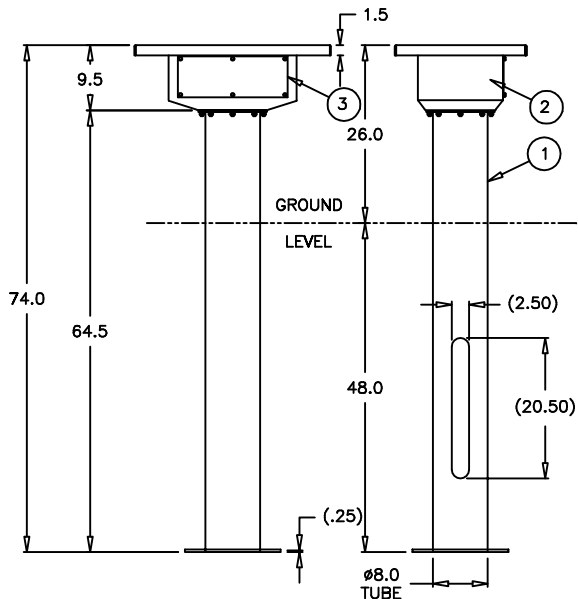
Call General Devices Co., Inc. Today

(317) 897-7000 • Fax (317) 898-2917

1410 South Post Road, Indianapolis, Indiana 46239

ISO 9001:2008 Registered

www.generaldevices.com

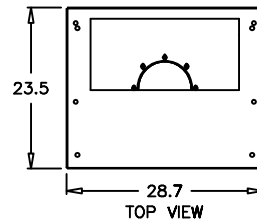


TOP VIEW

PART NUMBER: OJ-0204
FINISH: ALMOND POWDERCOAT PAINT

THIS DESIGN WILL ACCOMMODATE
1.) Calix ODC-100
2.) CommScope
3.) Boxer

ITEM	QTY	DESCRIPTION
1	1	TUBE
2	1	PLATFORM WELDMENT
3	1	COVER PLATE
	1	HARDWARE KIT

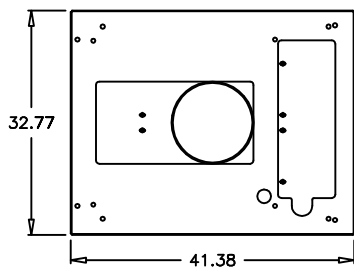
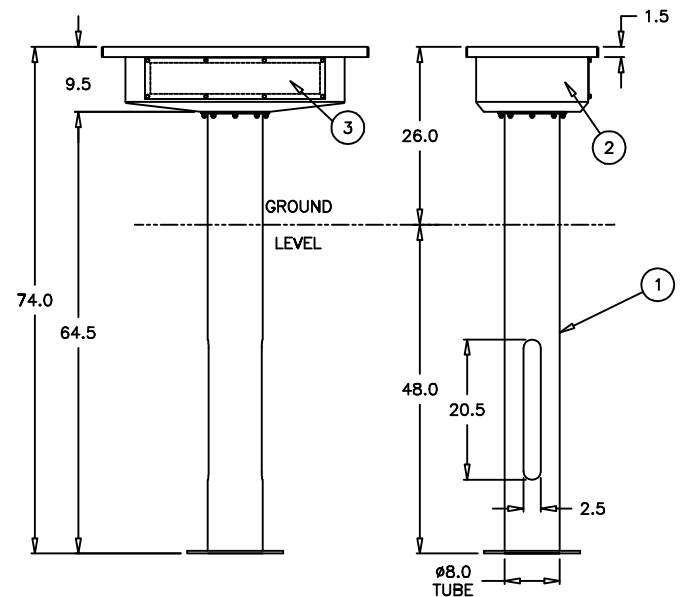
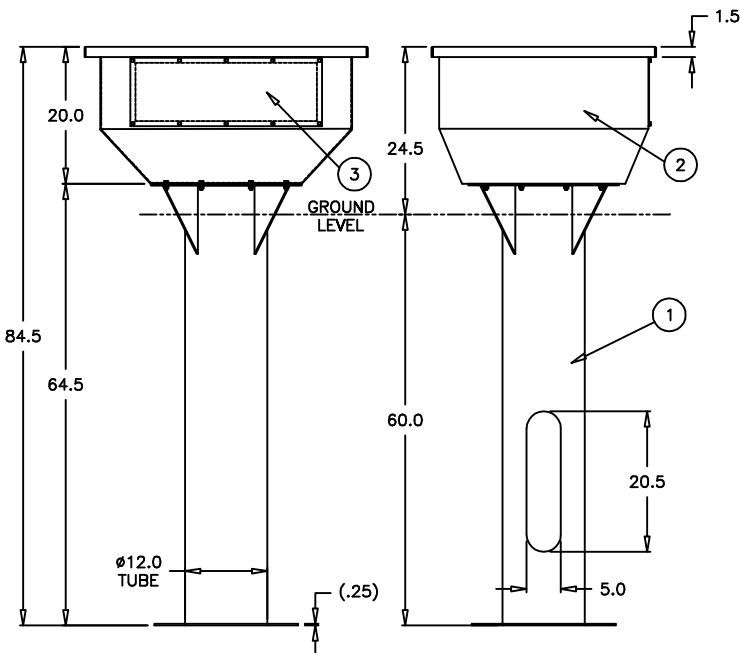


TOP VIEW

PART NUMBER: OJ-0312
FINISH: ALMOND POWDERCOAT PAINT

THIS DESIGN WILL ACCOMMODATE
1.) Adtran
2.) CommScope
3.) Charles Industries:
CUBE-PM4120H-A CUBE-PM4121H-A
CUBE-PM4220H-A CUBE-PM4221H-A
CUBE-PM4221H-A CUBE-PM4300HT-A

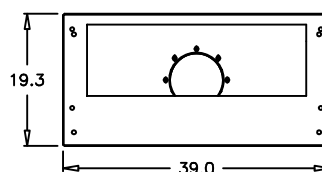
ITEM	QTY	DESCRIPTION
1	1	TUBE
2	1	PLATFORM WELDMENT
3	1	COVER PLATE
	1	HARDWARE KIT



PART NUMBER: OJ-0327
FINISH: ALMOND POWDERCOAT PAINT

THIS DESIGN WILL ACCOMMODATE:
1.) CALIX ODC-1000
2.) FLEX 18/23

ITEM	QTY	DESCRIPTION
1	1	TUBE
2	1	PLATFORM WELDMENT
3	1	COVER PLATE
	1	HARDWARE KIT



PART NUMBER: OJ-0424
FINISH: ALMOND POWDERCOAT PAINT

THIS DESIGN WILL ACCOMMODATE:
1.) Charles Industries
CUBE-PM4202HT-A

ITEM	QTY	DESCRIPTION
1	1	TUBE
2	1	PLATFORM WELDMENT
3	1	COVER PLATE
	1	HARDWARE KIT